



Project: _____

Fixture Type: _____

Location: _____

Contact/Phone: _____

MINI LED STEP LIGHT

INDOOR

LED LMS

PRODUCT DESCRIPTION

The LMS Mini LED step light is designed for installation in indoor wall mount applications using standard junction boxes (not supplied) • IC rated for direct contact with insulating materials • Four distinct optics conceal LEDs and provide unique light distribution patterns • Modular design allows fixture to be mounted in horizontal or vertical orientation • Ideal for residential, theatrical, or commercial applications • Designed to provide 50,000 hours of life • 5 year warranty on LED components.

ENVIRONMENTALLY FRIENDLY, ENERGY EFFICIENT

- No harmful ultraviolet or infrared wavelengths
- No lead or mercury

PRODUCT SPECIFICATIONS

LED Light Engine Utilizes two 1-watt high lumen LEDs binned to Energy Star standards • 3000K or 4000K color temperatures are available • Mounted directly to aluminum heat sink for superior thermal management.

Optics Available in hood, cutoff, louver, and marker optics to conceal LEDs, and provide four unique light distribution patterns • Fixture provided in vertical orientation from factory.

Faceplates May be mounted in vertical (as provided from factory) or horizontal orientation • Fastens using 0.05 allen wrench provided with fixtures • Available in plated satin nickel or bronze and textured black or white finishes.

LED Driver Accommodates an input voltage of 120 VAC at 60Hz • Power factor > 0.9 at 120V input • Driver is dimmable with the use of Juno qualified 120V electronic low voltage dimmers.

Mounting Designed to mount directly in standard J-Boxes: 2" x 4" (2 1/8" minimum depth) or 4" x 4" (1 1/2" minimum depth) fitted with a single-gang plaster ring 5/8" minimum depth • Modular design allows fixture to be mounted in horizontal or vertical orientation • J-Boxes and plaster ring are not provided.

Life Rated for 50,000 hours at 70% Lumen Maintenance.

Labels UL listed for indoor damp locations and through-branch wiring, maximum 4 No. 12 AWG 75° C through branch circuit conductors for 2 x 4 junction box or maximum 8 No. 12 AWG 75° C through branch circuit conductors for 4 x 4 junction box • UL and cUL Listed, RoHS compliant.

Testing All reports are based on published industry procedures; field performance may differ from laboratory performance.

Specifications subject to change without notice.

ELECTRICAL DATA

Input Voltage	120V
Input Power	2.6W
Input Current	0.03A
Frequency	60Hz
Minimum starting temp	-20°C (-4°F)



CUTOFF
(VERTICAL ORIENTATION)



HOOD
(HORIZONTAL ORIENTATION)

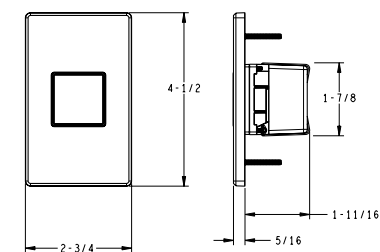
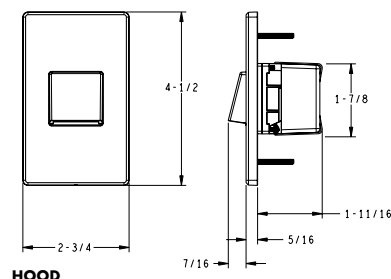


LOUVER
(HORIZONTAL ORIENTATION)



MARKER
(VERTICAL ORIENTATION)

DIMENSIONS



Note: Vertical orientation shown. All fixtures can be mounted in vertical or horizontal orientation.

DIMMER COMPATIBILITY

- Requires 120V AC electronic low voltage wall box dimmer
- Electronic low voltage dimmers require a neutral wire in the wall box • 100% to 20% or better dimming range depending on dimmer model with one fixture load minimum to maximum rated load for dimmer.

Juno qualified dimmers include:

Lutron® Model Numbers:	Leviton® Model Numbers:
Nova T☆® NTELV Series	Illumatech™ IPEO4 Series
Skylark® SELV Series	(dimmer has manual trim
Diva® DVELV Series	adjustment for low end of
Maestro® MAELV Series	dimming range to achieve
Faetra® FAELV Series	5% dimming)
Spacer System® SPSELV Series	

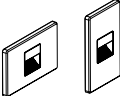
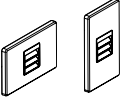
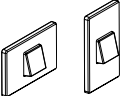
MINI LED STEP LIGHT

INDOOR

LED LMS

ORDERING INFORMATION

Example: **LMS 30K CTO 120 RPC BL**

Housing	Color Temperature	Optic	Voltage	Driver	Finishes
LMS	30K 3000K 40K 4000K	CTO Cutoff 	120 120V	RPC Reverse Phase Cut	BL Black, Textured WH White, Textured BZ Bronze, Plated SN Satin Nickel, Plated
		LVR Louver 			
		HD Hood 			
		MKR Marker 